

OCULAR



# Ocular LTE Plus

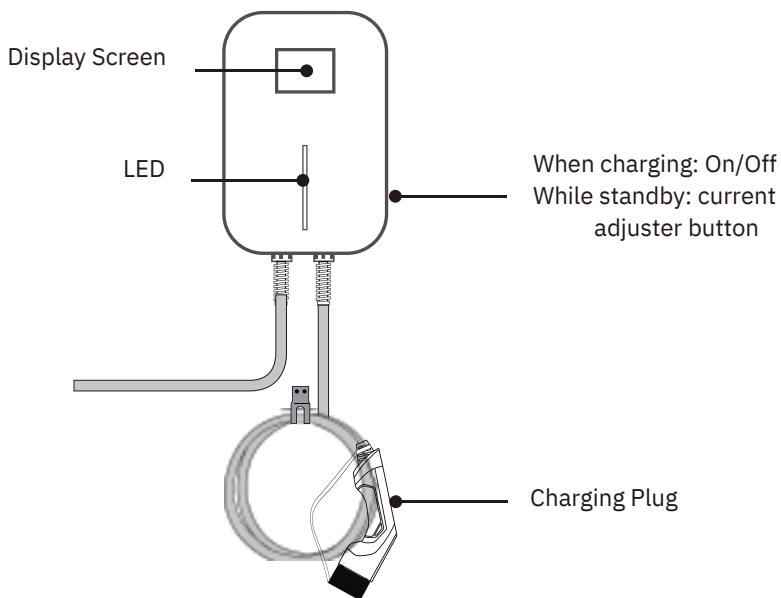
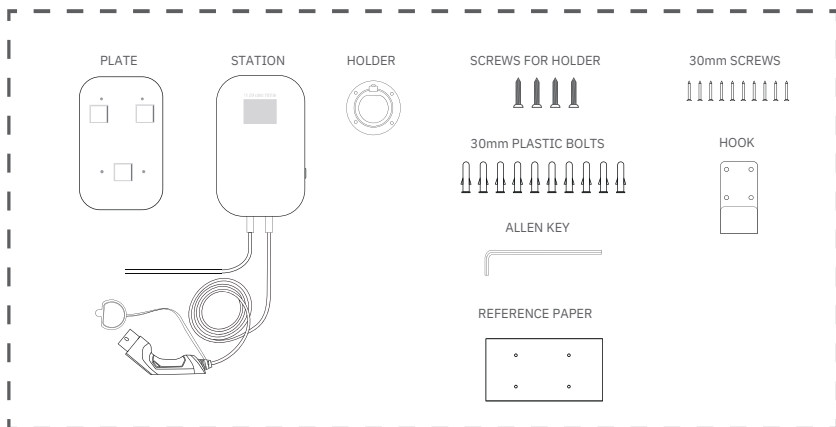
---

## Installation Guide

[ocularcharging.com.au](http://ocularcharging.com.au)  
[sales@ocularcharging.com.au](mailto:sales@ocularcharging.com.au)  
1300 912 650



## Accessories of Tethered Model



## Level 2 EV Charging Station

Phase Mode: Single Phase

Installation Method: Wall/Stand

Certificate: CE, TUV, RCM

IP Rating: IP66

Rated Voltage: 230VAC +/- 10%

Rated Current: 32A

Maximum Power: 7.2 kW

Ambient External Temp: -25°C ~ +55°C

Enclosure Material: ABS + PC alloy

Warranty: 2 years

Phase Mode: Three Phase

Installation Method: Wall/Stand

Certificate: CE, TUV, RCM

IP Rating: IP66

Rated Voltage: 400VAC +/- 10%

Rated Current: 32A

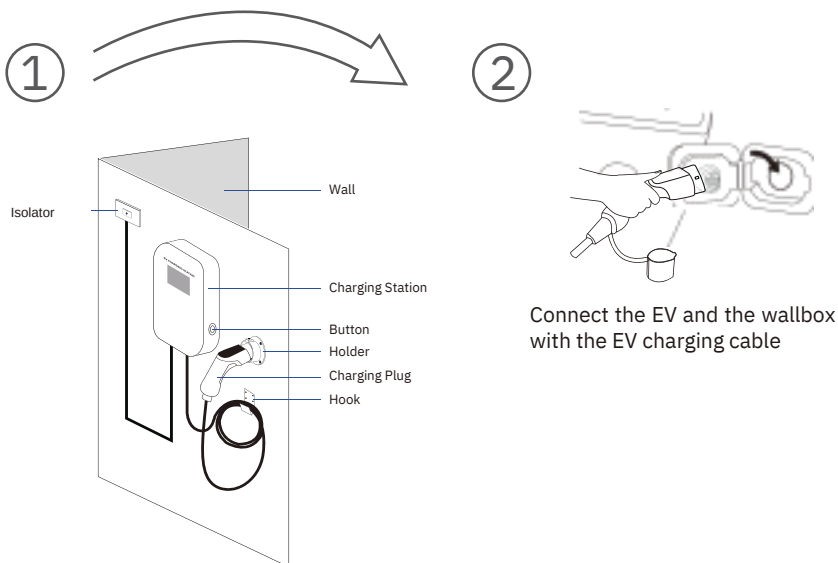
Maximum Power: 22 kW

Ambient External Temp: -25°C ~ +55°C

Enclosure Material: ABS + PC alloy

Warranty: 2 years

## Instruction for Use

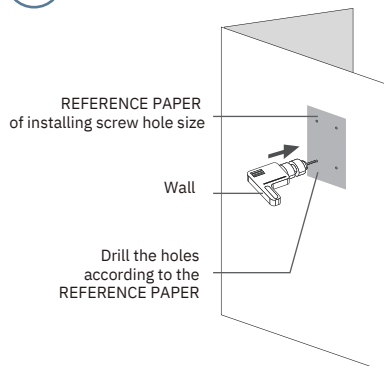


Make sure the wallbox is connected to power

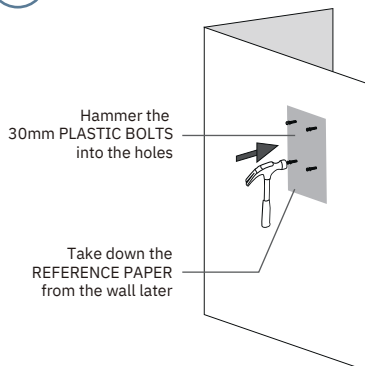
- ◆ Hang the cable on the hook when it is not in use

# Installation Guide

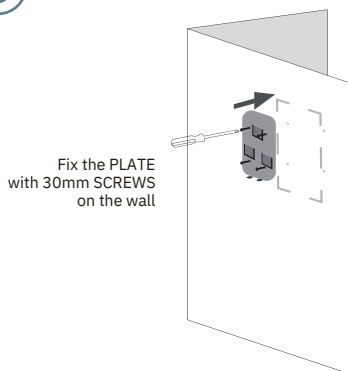
1



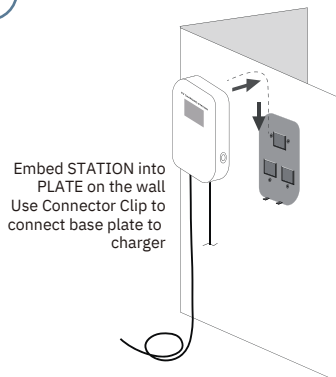
2



3



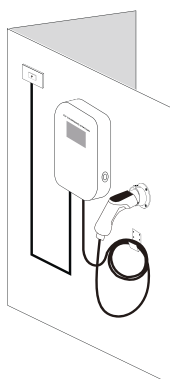
4



5

This is the final completion pic,  
you can put the HOOK  
and HOLDER  
anywhere you need

The cable can  
be hung on the  
HOOK and HOLDER



6

Tear off the protector



**Note: Power cables must be crimped with suitable ferrules otherwise product warranty will be voided**

# How to program output current

## 1 Current Selection Mode

Press the silver button on the right hand side of the charger 3 times within 10 seconds This must be done within 60 seconds after starting the charging unit.

*Please note that after 60 seconds from starting, the charging unit will continue with its normal booting process. Restart the charger if the button is not pressed in this time.*

## 2 Charging Current display

The LCD display will automatically switch to a new screen in this mode. It will display the set output current. To change the set output current, press the silver button until you reach the required Amperage. It will start at 32 Amps, and will go down to 6 Amps before returning back to 32 Amps.

*The current will be changed in 1 Amp intervals.*

## 3 Finalising new charging limit

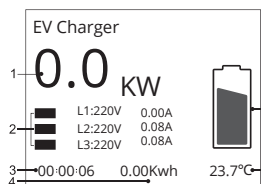
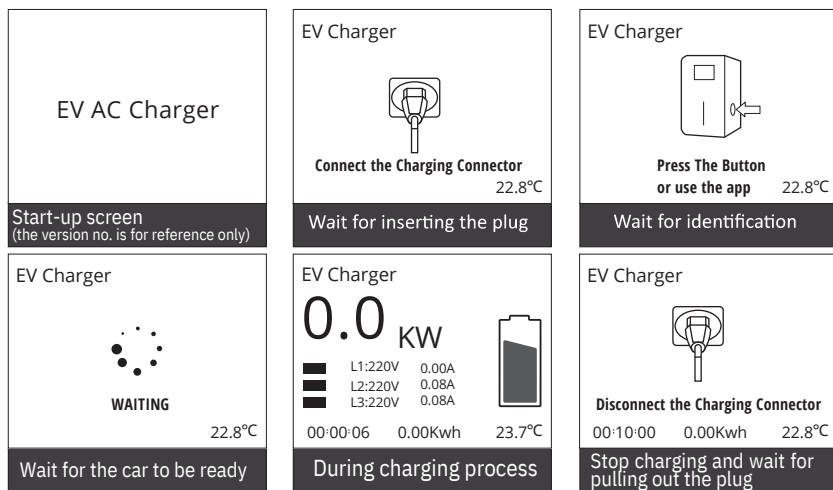
In order to finalise the new output current, once you have selected the required Amperage in Step 2, leave the charger for 20 seconds.

*Please note: the new output current will be set on the charger. Only licensed electricians are authorised to program hard limits on Ocular charging stations.*

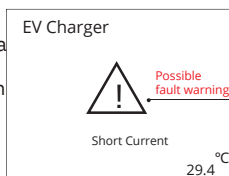
**You will not be able to exceed this new limit on the EVSE Master App.**

**Do not leave site without setting the hard limit.**

## Illustration of Screen and LED



1. Real-time power
2. Three Live Wire data
3. Charging Time
4. Power Consumption
5. Charging Icon
6. PCB Temperature



1. Emergency stop
2. Over Current
3. Over Temperature
4. Leakage protection
5. Short Current

	IDLE	CONNECTED	CHARGING	FINISHED	ERROR
Instruction of LED Status	OFF	Continuous light	Rolling	Continuous light	Red flashing

### Note:

The Ocular LTE plus will automatically restart when minor problems occur.

For serious failures, the system cannot automatically recover. In order to remind user of this failure, the system will automatically countdown 10 seconds to restart.

## Safety Warning

- ▲ Regularly check whether the charging station has visible damage.
- ▲ Make sure that all safety facilities are available at all times and are tested regularly to ensure they can operate normally. Visit [ocularcharging.com.au](http://ocularcharging.com.au) for a yearly maintenance check according to Australian standards.
- ▲ If a ground fault occurs, it must be assumed that the cable carries voltage. Please confirm that there's no high-voltage power in the system before inspecting the charging station.
- ▲ Persons who install and use charging stations must obey the principles and regulations mentioned to ensure personal and equipment safety.
- ▲ Before powering on the device, please confirm that the device is properly grounded to avoid unnecessary accidents.
- ▲ All tools' unnecessarily exposed metal parts should be insulated to prevent them from touching the metal frame to avoid short circuits.
- ▲ Do not modify, retrofit, or change any part by yourself under any circumstances.
- ▲ To ensure the service life and stable operation of the charging station, the operating environment should be kept clean as possible with a relatively stable temperature and humidity. The charging station must not be used in a flammable environment or environments with volatile gas.
- ▲ Be sure to confirm that the input voltage, frequency, circuit breakers and other conditions of the device meet the specifications before the device is powered on

## Maintenance

Ocular LTE Plus is only recommended for use in residential applications and use outside of this area (i.e. for commercial application) is outside of warranty.

In order to ensure the normal service life of the charging station and reduce risk, maintenance must be performed every 12 months. The maintenance and installation of the equipment must be completed by a licensed electrician. Visit [ocularcharging.com.au](http://ocularcharging.com.au) to book your service.

The product should be placed at an ambient temperature of -25C~+55C in relative humidity of no more than 95%. The air should not contain acids, alkalis, or other corrosive and explosive gases.

Ocular Charging Stations are subject to stringent quality inspections. From the day of purchase, any problem quality can be reflected to the dealer within two years. Any direct damage or malfunction caused by neglect, incorrect use, installation, usage, repair by the users or natural damage are not covered by the warranty.

MANUFACTURER  
Ocular Charging

[ocularcharging.com.au](http://ocularcharging.com.au)  
[sales@ocularcharging.com.au](mailto:sales@ocularcharging.com.au)







# OCULAR

CHARGE WITH VISION

MANUFACTURER  
Ocular Charging

[ocularcharging.com.au](http://ocularcharging.com.au)

[sales@ocularcharging.com.au](mailto:sales@ocularcharging.com.au)