



OCULAR

Ocular IQ Wallbox



IOCAH10R-7S / IOCAH10R-7T
IOCAH10R-22S / IOCAH10R-22T

Easy configuration to any charging network

OCA & OCPI official member

OCPP 1.6J, 2.0

Indoor and Outdoor Rated

Stay in the know with a LCD screen

Fast, sustainable and compatible with every EV in Australia. Meet the Ocular IQ Wallbox. The Ocular IQ Wallbox is an intelligent solution across homes, apartments, fleets, destinations, and light commercial applications.

Main Features

Unique Design

2.8" LCD display for excellent clarity and LED indicator

Flexible output current

Output current adjustment via back office

Multiple Charging Standard Compliant

Type-1 connector, Type-2 connector or Type-2 socket

OCPP Compatibility

OCPP1.6J, 2.0 support for easy back office integration

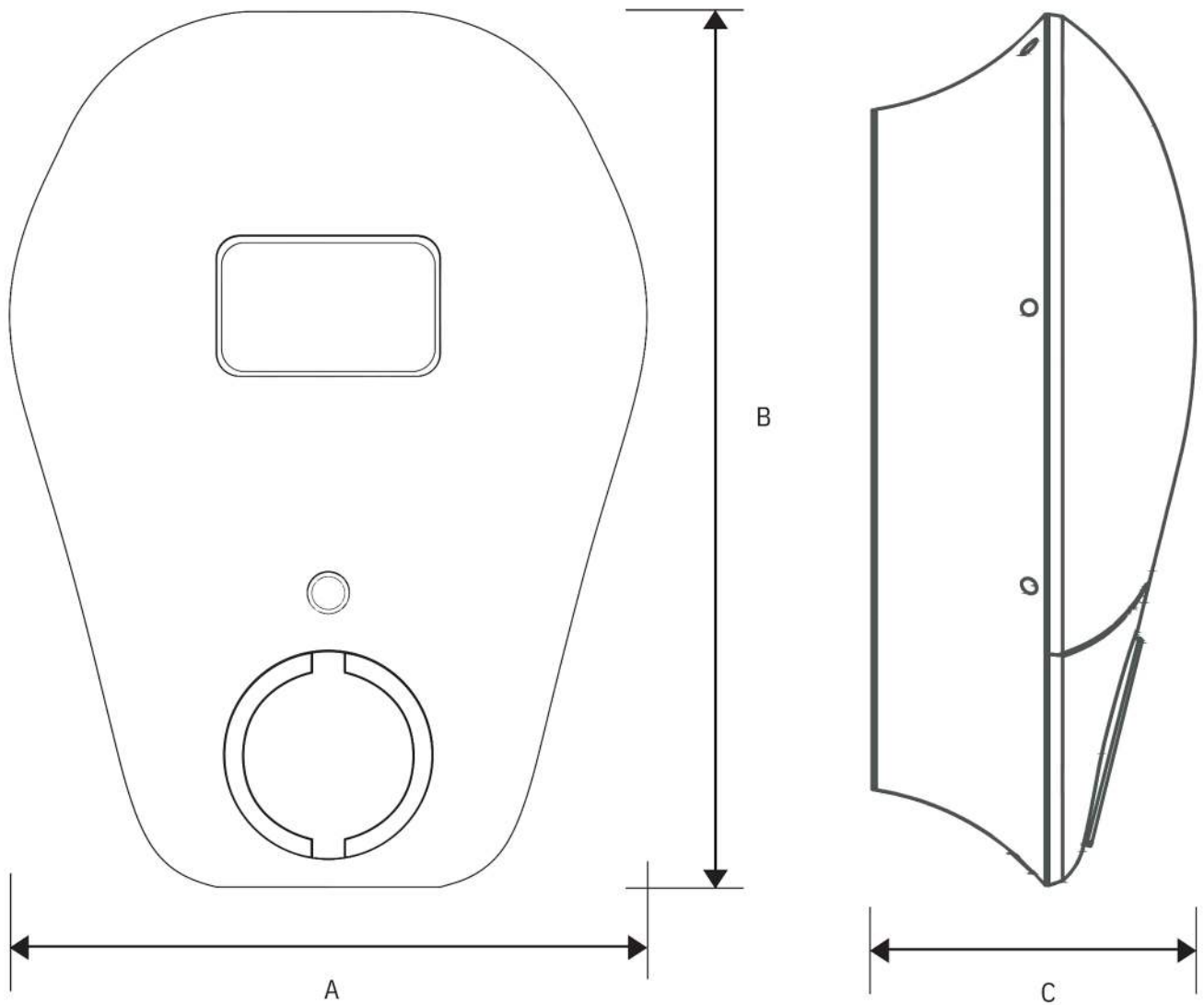
2 different Models

1-phase 7kW & 3-Phase 22kW available

Specification

Model	IOCAH10R-7S / IOCAH10R-7T IOCAH10R-22S / IOCAH10R-22T	
Input Voltage & Current	230V±20%, 32A per phase	
Frequency (Hz)	50/60Hz	
Charging Connector	Type-2 socket/ Tethered cable	
Power Output	7.2kW (1- Phase)	22kW (3- Phase)
Output Voltage	230V ± 20%	400V ± 20%
Output Current	32A MAX per phase	
Display	2.8" LCD screen	
User Authentication	RFID Card, Mobile App, Remote Access	
Operating Temperature	-30°C to +55°C in operation	
Storage Temperature	-40°C to +75°C in storage	
Working Humidity	95% relative humidity, non-condensing	
Internal RCD	30mA AC & 6mA DC	
IP Performance	IP54	
Meter	Meter IC or MID Meter	
Internet connection	Ethernet + Wi-Fi + 4G	
Mounting	Wall-Mount/ Pole-Mount	
Charging Cable Length	Tethered model only - 5m	
Dimension (H x W x D, mm)	380 x 288 x 160 mm	
Net Weight	(1- Phase) 5.3 kg (socket type) 7.8 kg (tethered)	(3- Phase) 5.4 kg (socket type) 8.1 kg (tethered)
Recommended circuit breaker	40A single phase type A RCBO	40A three phase type A RCBO
Recommended cable size (50m run)	10mm ² 2C+E	10mm ² 4C+E
Certificate	CE, IEC /EN 61851-1, IEC/EN 61851-23, IEC/EN 61851-21-2, RCM	
Warranty	2 years	
Electrical Protection	Over current, Short circuit, Over voltage, Under voltage, Ground fault, Lightning Surge, Over temperature	

OCULAR



Size	A	B	C
380x288 x160mm	288	380	160

OCULAR

